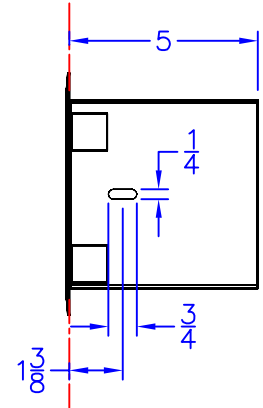
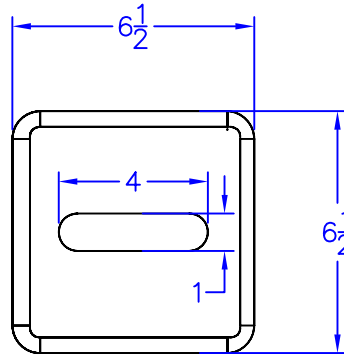
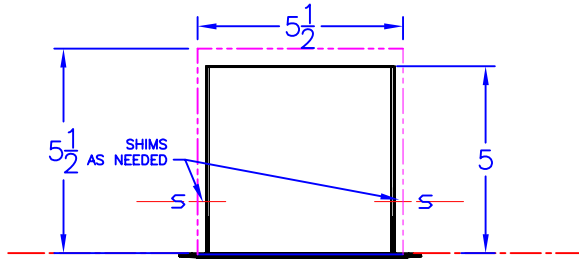
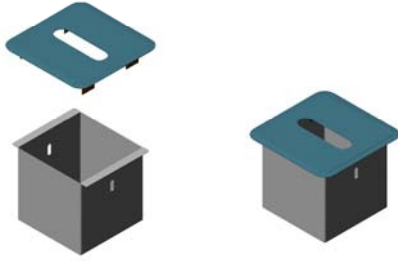




# Technical Data

## S-2681-XX

### SQUARE RECESSED TISSUE DISPENSER BOX



FINISH CODES -XX  
 -SS = SATIN STAINLESS  
 -BS = BRIGHT STAINLESS  
 -PC = POWDER COAT (SPECIFY COLOR)

ROUGH OPENING:  
 5 1/2" WIDE  
 5 1/2" HIGH  
 5 1/2" DEPTH

#### Construction:

FACE PLATE: 20 GAUGE TYPE 304 STAINLESS STEEL, EQUIPPED WITH SNAP TABS FOR REMOVAL AND FILLING.  
 CABINET: 20 GAUGE TYPE 304 STAINLESS STEEL

#### Operation:

HOLDS STANDARD SQUARE TISSUE BOX 5" X 5" X 5"

#### Installation:

REQUIRES ROUGH OPENING OF 5 1/2" WIDE X 5 1/2" HIGH X 5 1/2" DEEP.  
 MOUNT UNIT WITH SHIMS (NOT PROVIDED) USING THE TWO SLOTTED HOLES.  
 INSTALL TISSUE BOX.  
 SNAP IN FACE PLATE.  
 FOR FILLING, RE-MOVE FACE PLATE.

#### Guide Specification:

TYPE 304 STAINLESS STEEL CONSTRUCTION  
 HOLDS A STANDARD SQUARE TISSUE BOX 5" X 5" X 5"  
 FINISHES AS LISTED